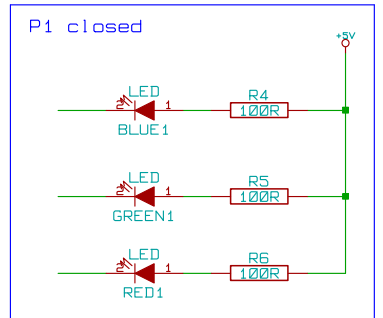


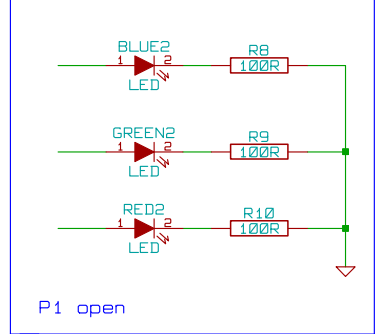
PIC16F628A
Program with zf628a.HEX

Press at power-on to initialise EEPROM to 9600bps / Address 0

PWM active low



PWM active high



All resistors 1/8 watt 5 %

Pete Griffiths (http://picprojects.co.uk)		
Title: Serial Addressable RGB LED PWM Driver for PIC 16F628A		
Size: A4	Date: 13 nov 2007	Rev: 1
KiCad E.D.A.	EESchema (2007-07-09)	Sheet: 1/1