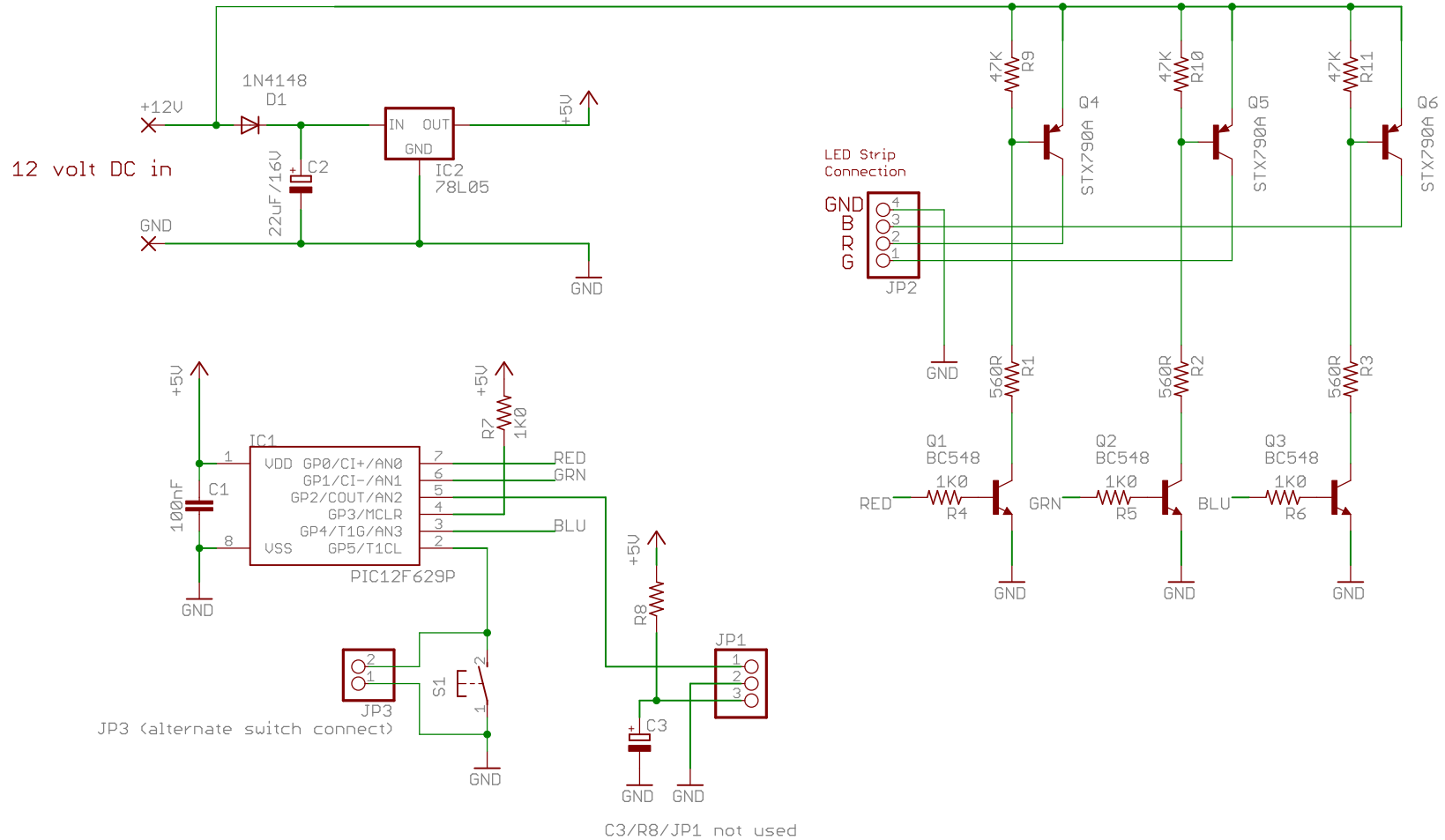


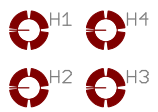
12 volt RGB LED Strip High Side Driver

Power supply rated for LED strip
(typically 2 amps)



MOUNT-PAD-ROUND3.0

HOLE



RGB Mood Light		http://picprojects.org	
high side LED driver		LEDstripDriver	
Use firmware rgb101g3_main.HEX download from http://picprojects.org		06/12/2011 23:11:07	
Sheet: 1/1			