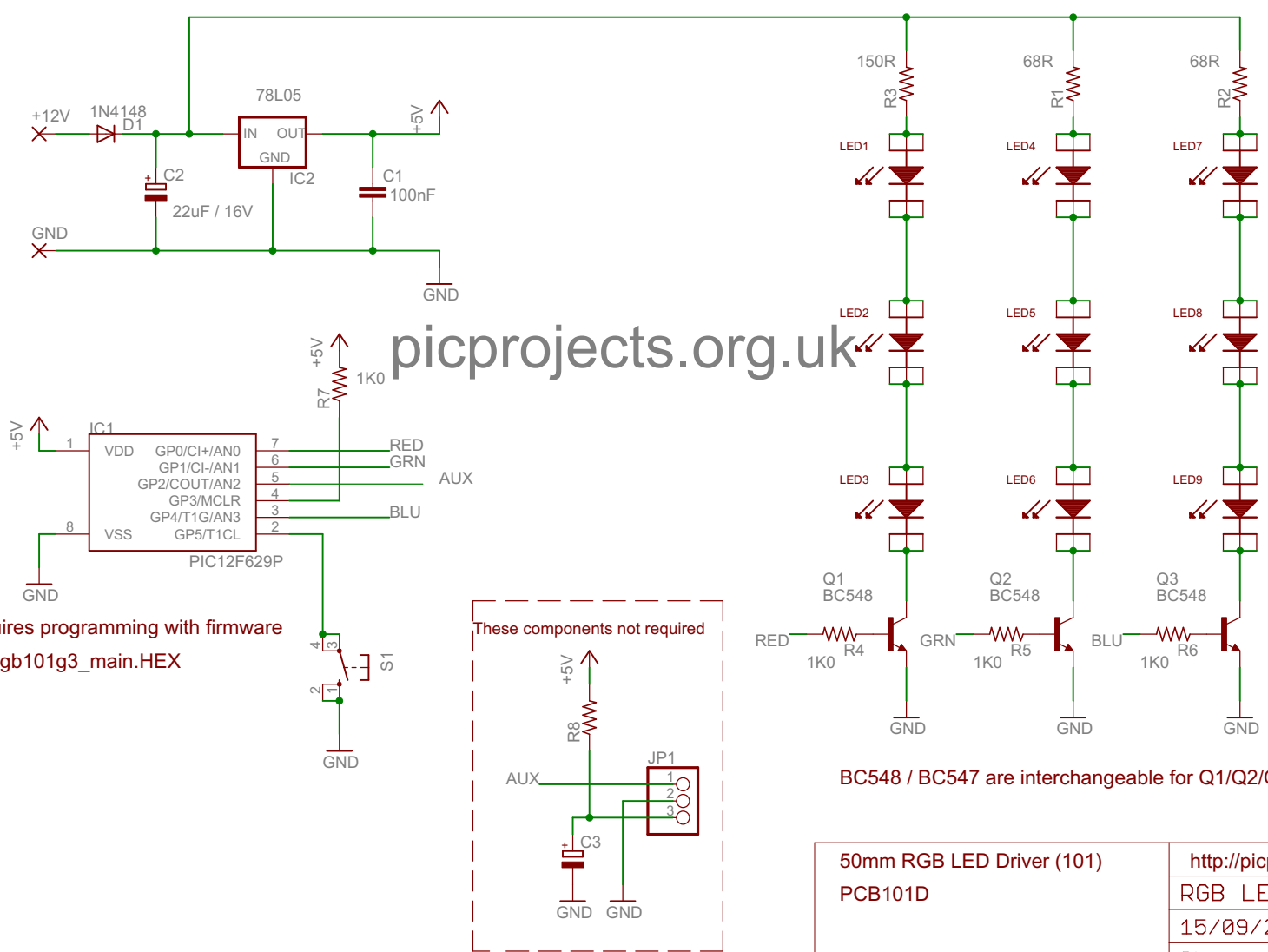


RGB LED Mood Light (version 101)

picprojects.org.uk



PIC requires programming with firmware version rgb101g3_main.HEX

These components not required

BC548 / BC547 are interchangeable for Q1/Q2/Q3

50mm RGB LED Driver (101) PCB101D	http://picprojects.org.uk
	RGB LED Driver 101D
	15/09/2010 11:14:50
	Sheet: 1/1