

# RC Model Navigation Lights

with Servo input control

<http://picprojects.org>

## Components

R1,2,3,4 270R  
R5 10K  
R6 1K

Resistor are 5% Carbon film (0.25 or 0.125 watt)

C1 100nF Ceramic (disc type or multilayer)  
C2 47uF (6.3 volt or higher) electrolytic

IC1 PIC12F629 with RCnavlightServo.HEX f/w

Q1 BC548 or similar NPN transistor

SW1 Push-to-make tactile switch

SW2 Toggle/slide switch SPST

LED1 Starboard position LED (5mm Green)  
LED2 Port position LED (5mm Red)  
LED3 Strobe LED (5mm White)  
LED4 Beacon LED (5mm Red)

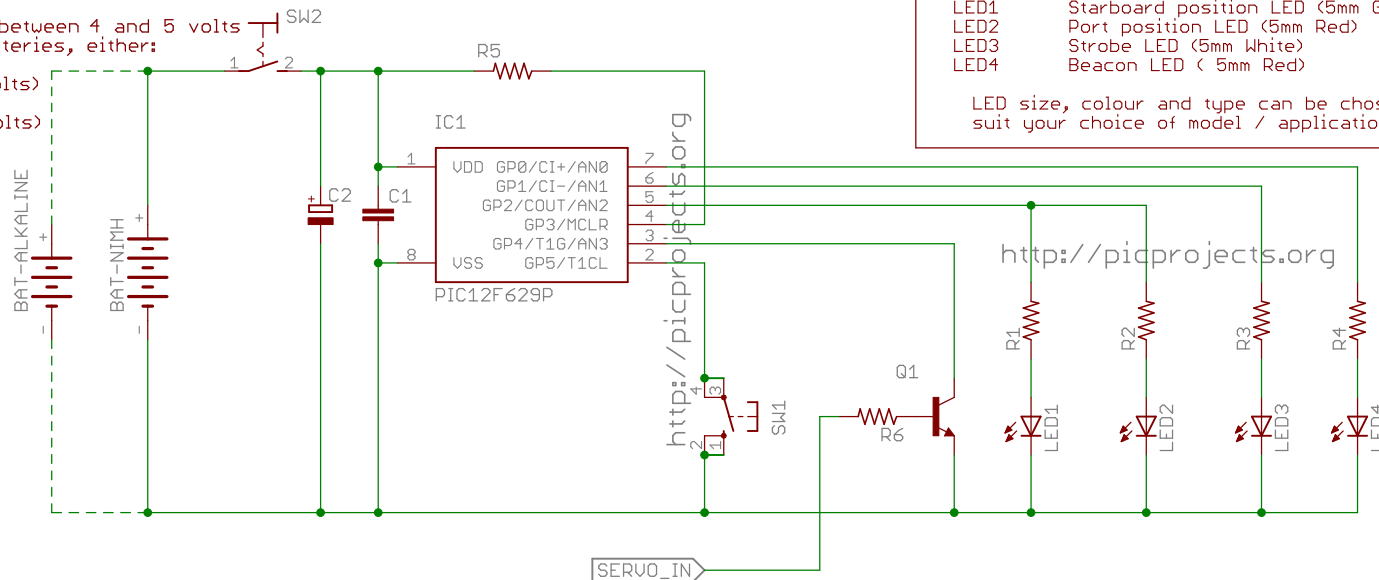
LED size, colour and type can be chosen to suit your choice of model / application

SW2 is a power on/off switch

Depending on your application you may not require this switch, in which case it can be omitted.

Supply voltage should be between 4 and 5 volts  
Suggested use AA type batteries, either:

3 x 1.5V Alkaline (4.5 volts)  
or  
4 x 1.2 Volt NiMH (4.8 volts)



See RC Navigation Lights project

page at <http://picprojects.org>

for more details

RC Navlights

23/07/2013 11:45:46

Sheet: 1/1