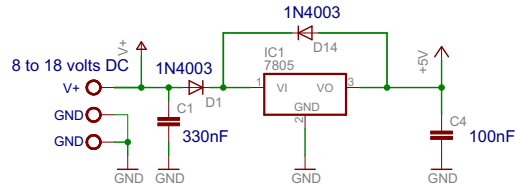
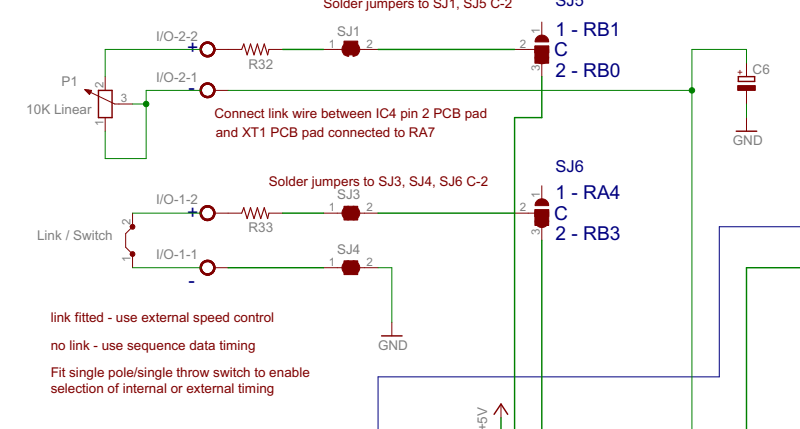


Power input and 5 volt regulator



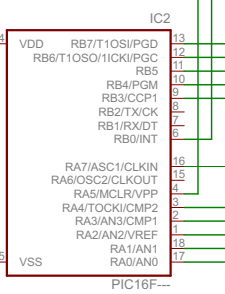
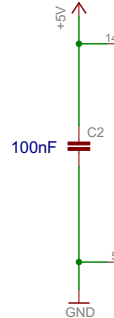
Variable Speed Option for #481 and #483 PWM LED Chasers

Adjust P1 to control LED Chaser speed



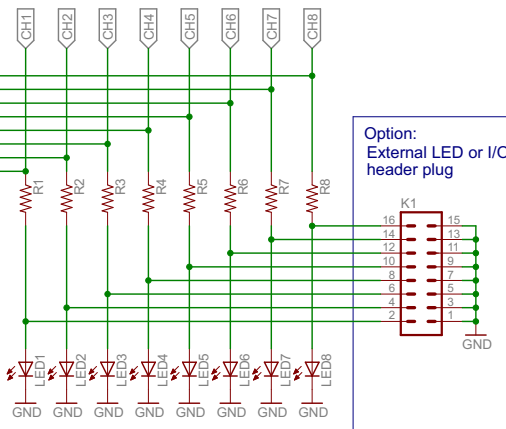
Option: Switch

R1-R8 330R



Microcontroller options:
PIC 16F627A, 16F628A, 16F648A

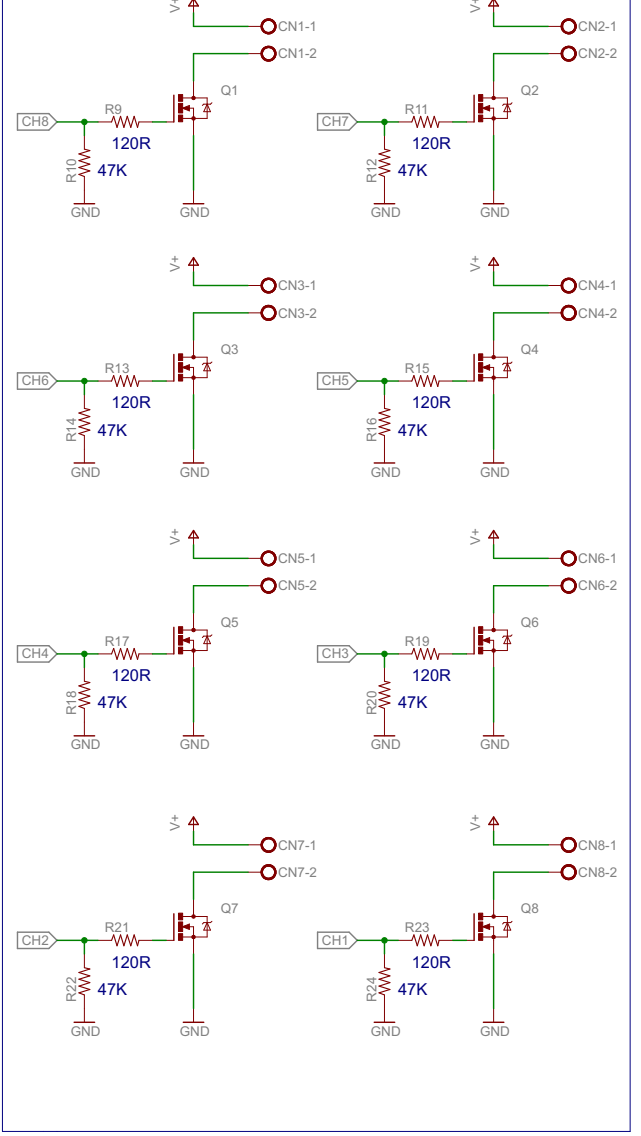
Requires PRO481V300.HEX firmware



Option: External LED or I/O header plug

Option: Power output driver

N-Channel logic level MOSFET
STP36NF06L Q1-Q8



PWM LED Chaser Variable Speed
upgrade option

http://picprojects.org.uk
PRO480VS300
06/08/2011 15:04:22
Sheet: 1/1