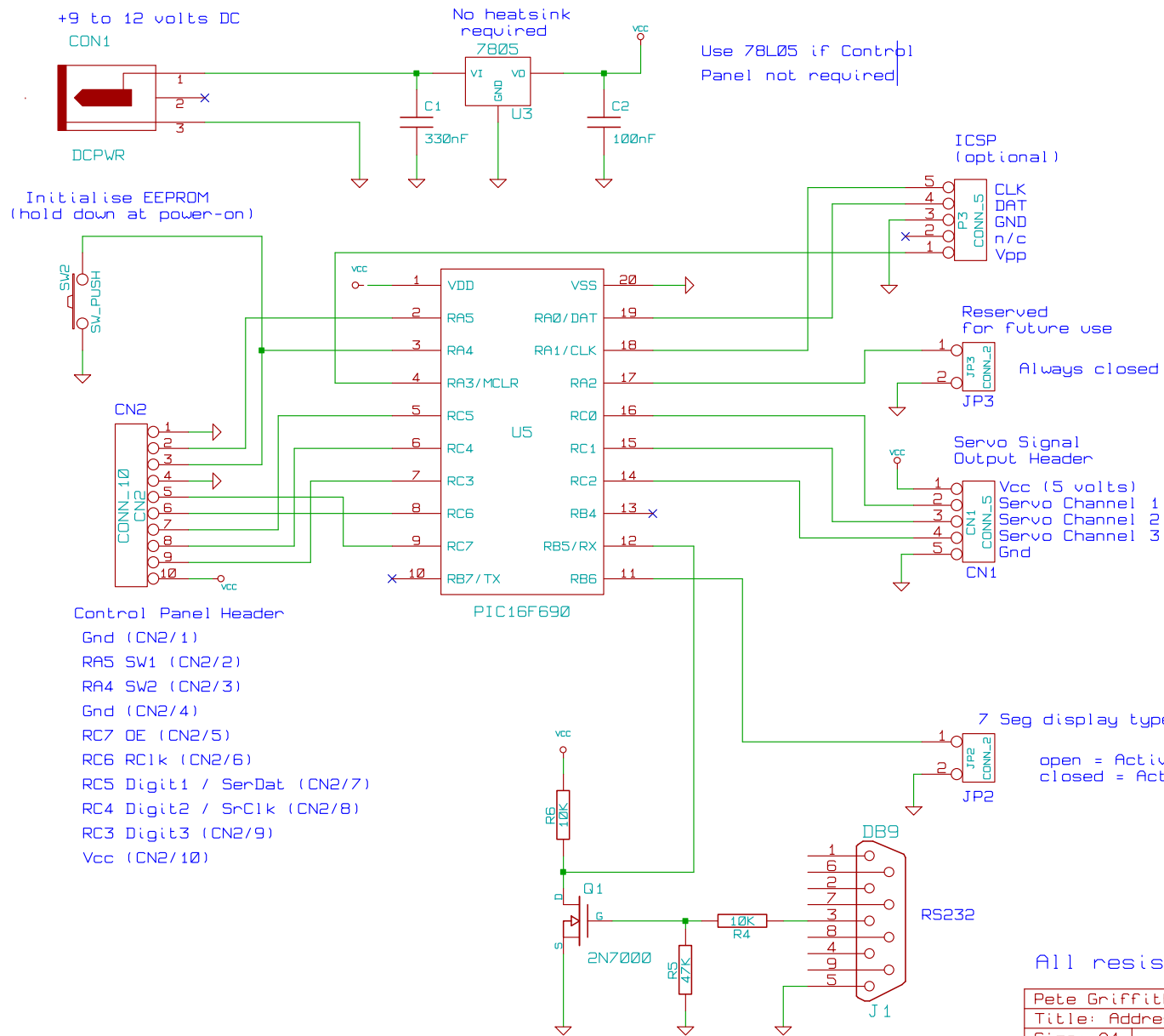


Serial Addressable 3-Channel Servo Driver MC Board

Free code version
You can omit CN2, JP2, JP3



Servos require separate power supply suitably rated for the specific servo model used. Servo PSU ground should be connected back to Servo Driver board ground

Sheet: zcode400_7seg

File: 7seg display.sch

Sheet: 7seg display CA

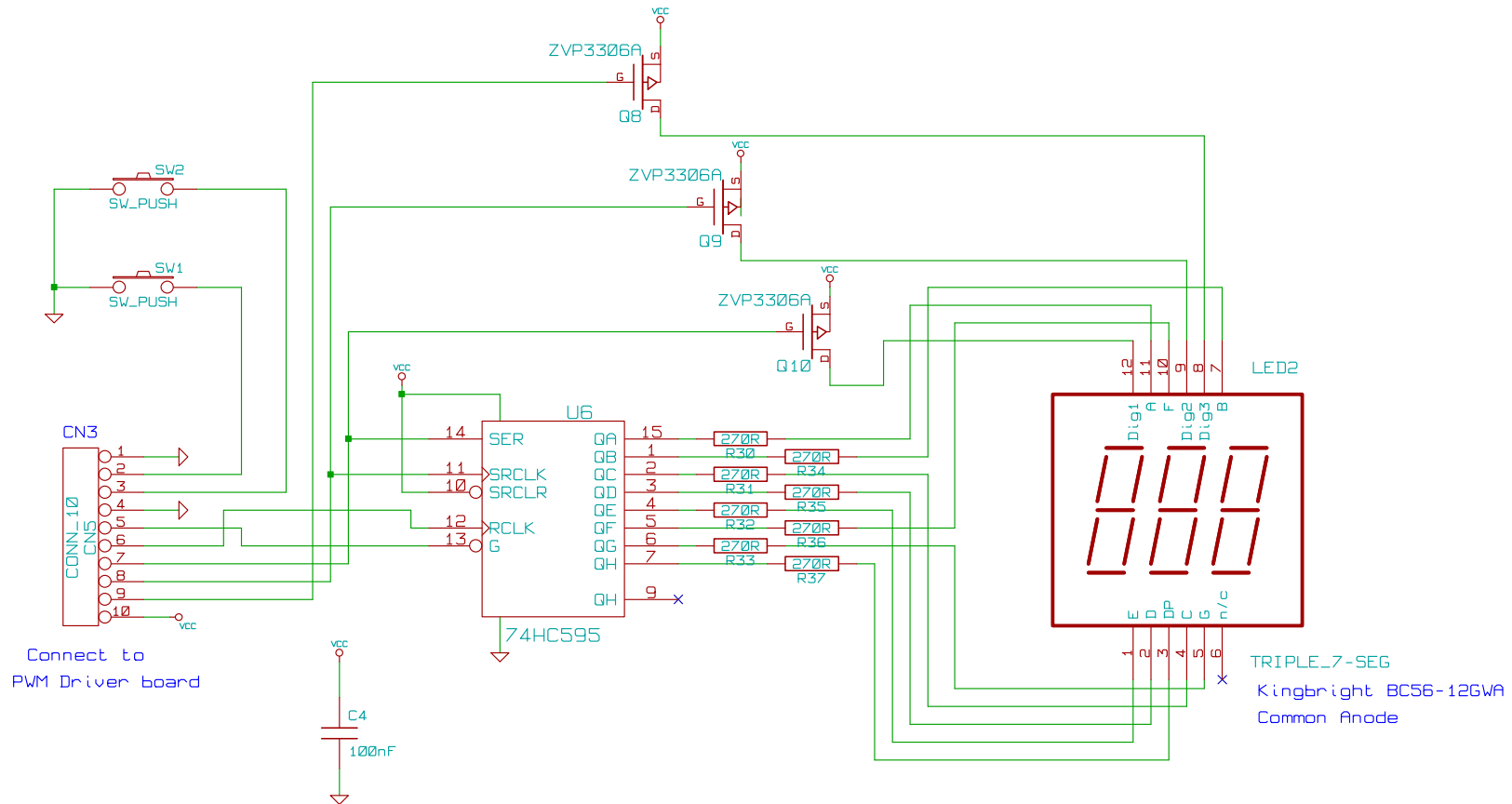
File: zcode400_7segca.sch

Pete Griffiths (picprojects.org.uk)		
Title: Addressable Servo Driver for PIC 16F690 (MC Board)		
Size: A4	Date: 10 oct 2007	Rev: 1
KiCad E.D.A. EESchema (2007-07-09)		Sheet: 1/4

PWM Driver Control Panel

(not supported in free firmware)

for Common Anode 7 segment display



The control panel hardware is only supported in the full version of the firmware (zcode690a.HEX)

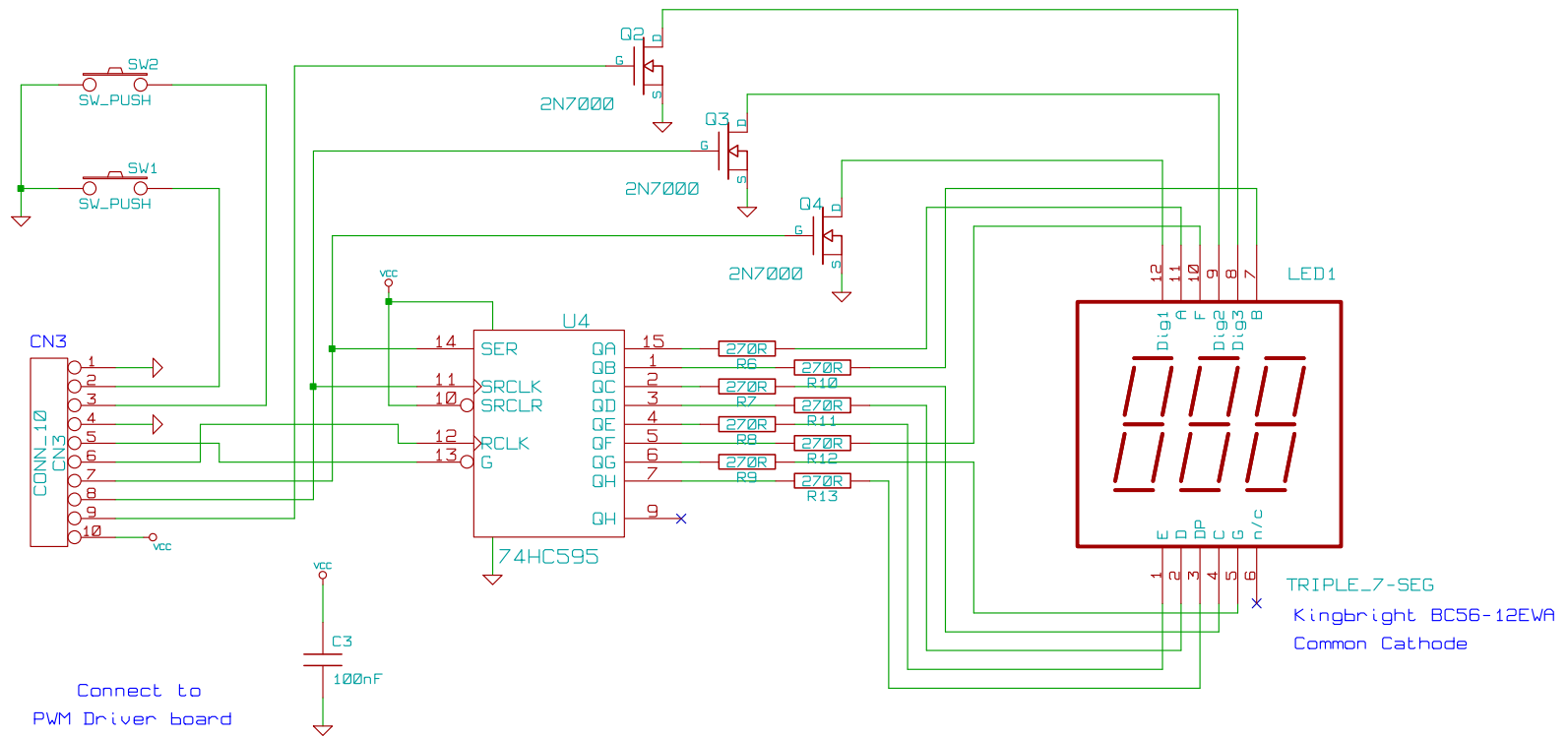
All resistors 1/4watt 5%

Pete Griffiths (picprojects.org.uk)		
Title: Control Panel for Z690 RGB PWM Driver (full version) CA		
Size: A4	Date: 10 oct 2007	Rev:
KiCad E.D.A. EESchema (2007-07-09)		Sheet: 2/4

PWM Driver Control Panel

(not supported in free firmware)

for Common Cathode 7 segment display



The control panel hardware is only supported in the full version of the firmware (zcode690a.HEX)

All resistors 1/4watt 5%

Pete Griffiths (picprojects.org.uk)		
Title: Control Panel for Z690 RGB PWM Driver (full version) CC		
Size: A4	Date: 10 oct 2007	Rev: 1
KiCad E.D.A. EESchema (2007-07-09)		Sheet: 4/4