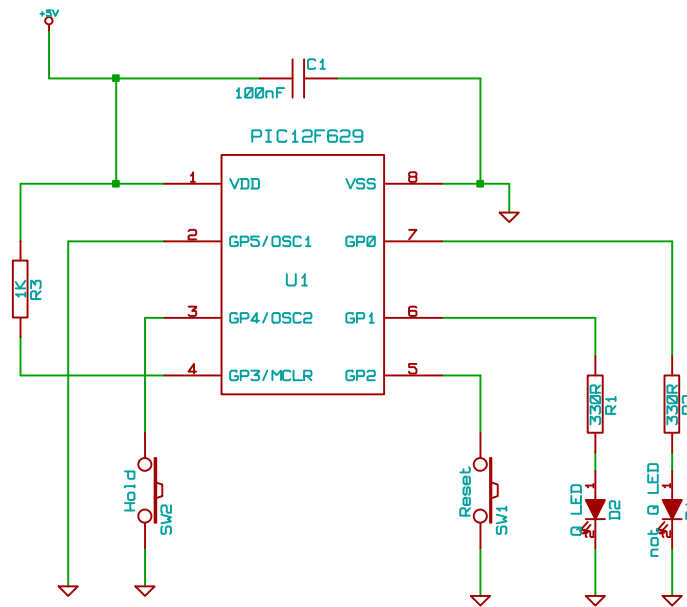


Long Period Multi-Function Timer  
Demo circuit



- GP0 Q output
- GP1  $\bar{Q}$  output
- GP2 Reset (edge triggered)
- GP4 Hold
- GP5 Reset edge select
- ┌ n/c
- └ Gnd

Software enables internal weak pull-up  
on all inputs

Title: Long Period Multi-Function Timer Demo Circuit		
Size: A4	Date: 21 jul 2007	Rev:
KiCad E.D.A. EESchema (2007-05-25)		Sheet: 1/1