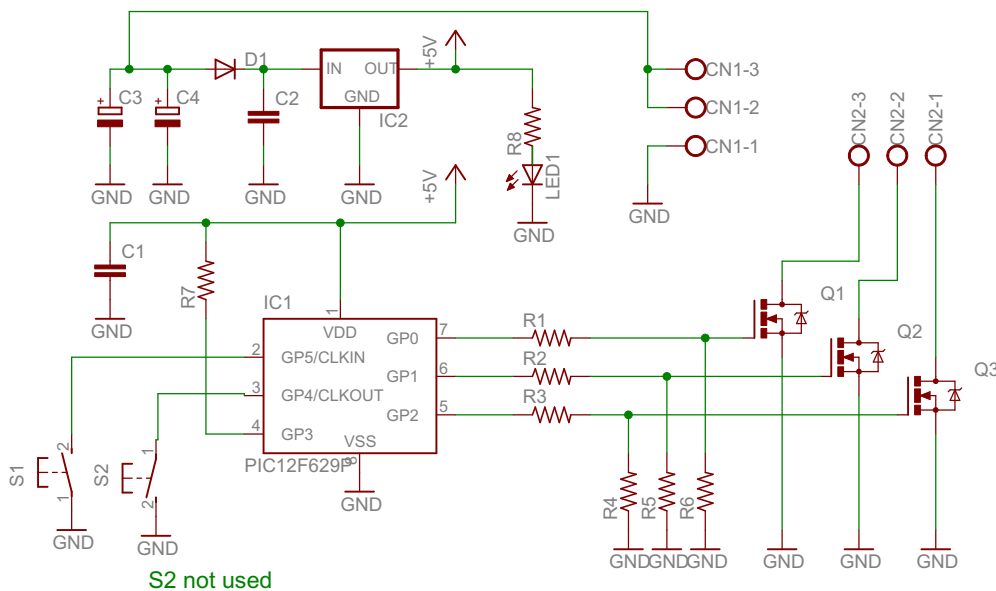


Power MOSFET RGB Driver



S2 not used

Components

- R1,2,3 120R
- R4,5,6 10K
- R7 1K
- R8 270R
- C1 100nF
- C2 220nF
- C3,C4 100uF / 25V
- IC1 PIC12F629 /675 /683
- IC2 78L05
- D1 1N4148
- Q1,2,3 STP36NF06
- S1 RIGHT ANGLE TACT SWITCH
- S2 not used



MOUNT-PAD-ROUND3.0

for PCB layout purposes only

Power MOSFET RGB Driver
PCB106B

http://picprojects.org.uk	
rgbmosfetdriverB	
14/04/2009 20:34:06	
Sheet: 1/1	