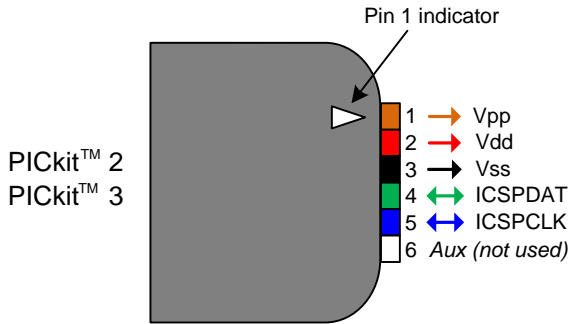
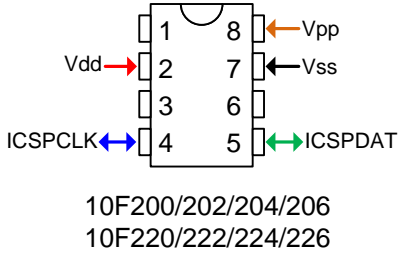
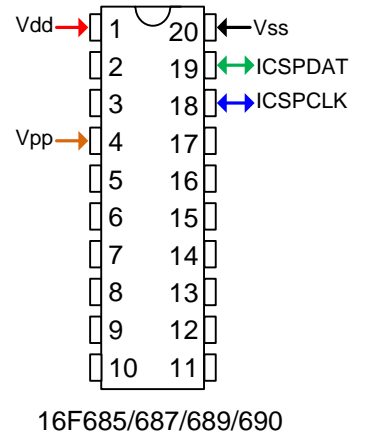
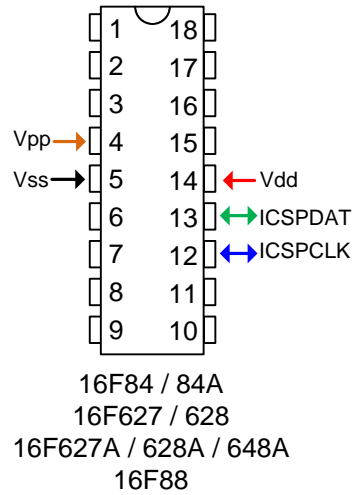
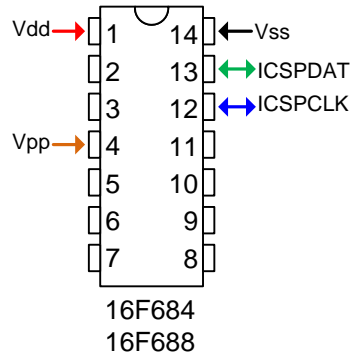
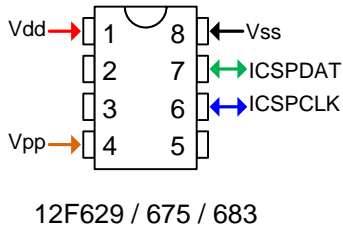


Programming PIC Microcontrollers using PICkit™ 2 / 3 Programmers

<http://picprojects.org>

ICSP connections



To program a PIC using ICSP you only need to make the five connections shown.

No other connections are required. No other components are needed; no external crystal is required; no external power supply is needed.

For other PIC Microcontrollers, refer to the datasheet to identify the correct pin connections: http://www.microchip.com/en_US/family/8bit/index.html

See also PICkit 2 User's Guide

<http://ww1.microchip.com/downloads/en/DeviceDoc/51553E.pdf>